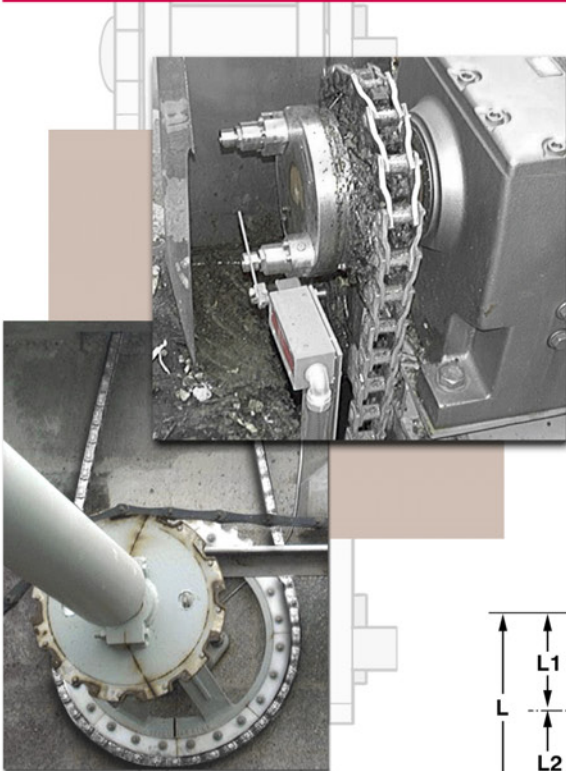


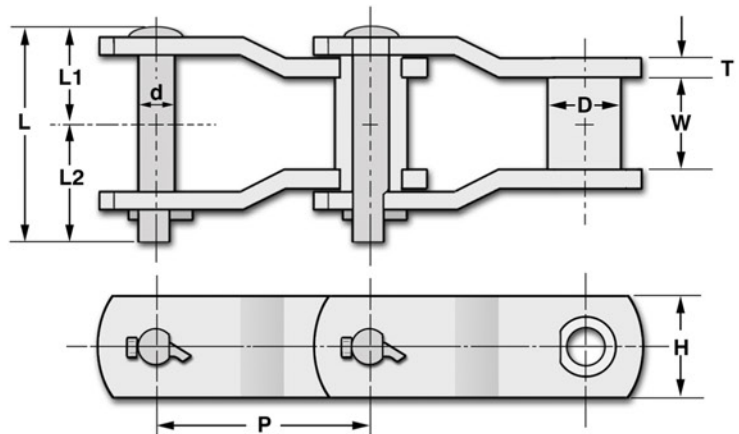
HB 78 Stainless Steel Drive Chain



HB 78 Stainless Steel Drive Chain is the premier pintle drive chain for harsh demanding applications. Ideal for wastewater treatment applications. Made from 403 stainless steel, the chain is extremely strong, yet highly corrosion resistant. Consider the advantages of HB 78 Chain:

- * Directly interchangeable with all Series 78 chains.
- * Runs on Cast, Non-metallic or Stainless tooth series 78 sprockets.
- * Minimal elongation = less tension adjustment.
- * J-cotter pin for easy chain link removal.
- * Available from Inventory.

HB 78 Stainless Drive Chain



Dimensions and Strength of HB 78 Chain

Chain No.	Pitch P (in.)	Working Load (lbs.)	Average Ultimate Strength (lbs.)	Weight (lbs./ft.)	Barrel		Pin			Side Bar		
					Outside Dia. D (in.)	Width W (in.)	Outside Dia. d	Length (in.)			Height H (in.)	Thickness T (in.)
HB 78	2.609	3,300	24,000	3.9	7/8	1 1/8	7/16	2 5/8	1 3/16	1 7/16	1 1/4	15/64



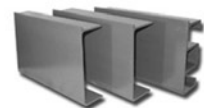
SPROCKETS



NON-METALLIC CHAINS



STAINLESS CHAINS



FIBERGLASS FLIGHTS