

Wear Shoes

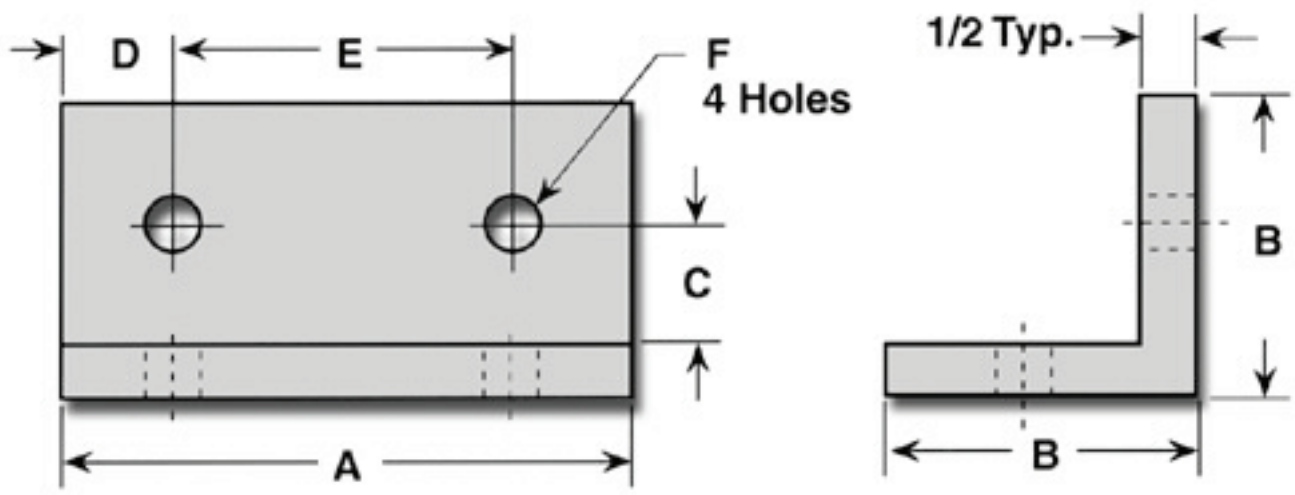


Wear Shoes

HMAX UHMW-PE Wear Shoes are designed for use in our standard, state of the art HMAX rectangular system and standard wear shoes applications. This material has been shown to be superior to all other typical wear shoe materials (based on ASTM G-65).

Wear Shoes are also available in different materials;

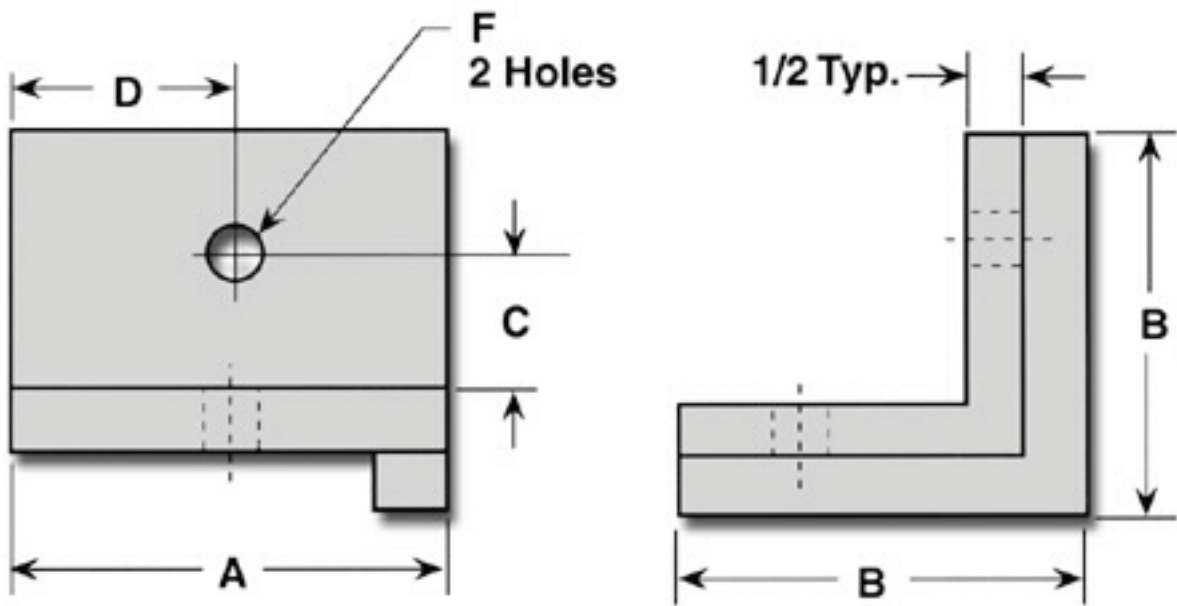
- Polyurethane
- Cast Nylon
- Polypro



Carrying Wearshoe

Catalog No.	A (In.)	B (In.)	C (In.)	D (In.)	E (In.)	F (In.)
C2	5-1/2	3	1-3/8	7/8	3-3/4	1/2

Custom wearshoes made to specification available.



Single Hole Return Wearshoe

Catalog No.	A (In.)	B (In.)	C (In.)	D (In.)	E (In.)	F (In.)
S2	4	3-1/2	1-3/8	2	-	1/2

Custom wearshoes made to specification available.