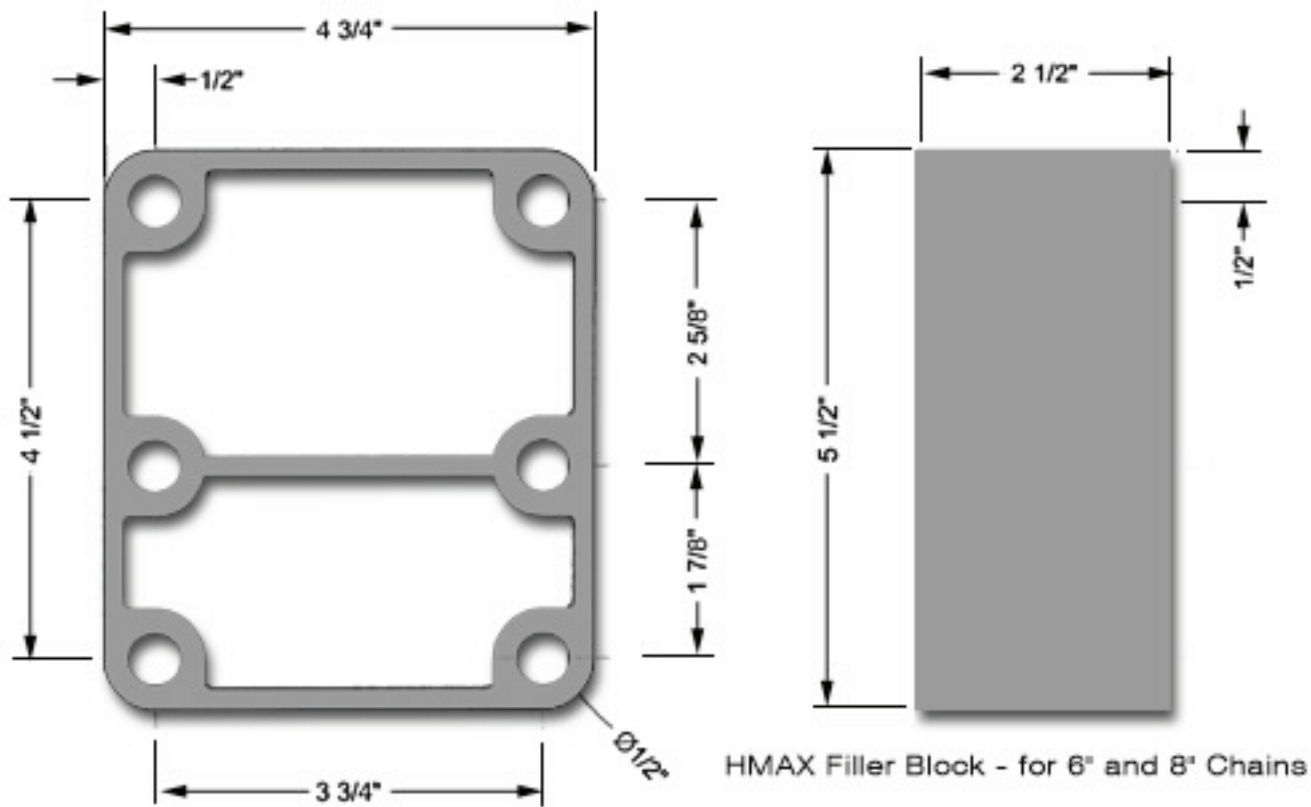


Filler Blocks



Filler Block

Filler B locks are made for use with "C" channel shape flight boards, material is polypropylene and is sized for both nominal 6" and 8" flights. Lightweight yet durable, HMAX filler blocks are usable with all industry standard channel flights. Contact Hitachi Maxco for further details.