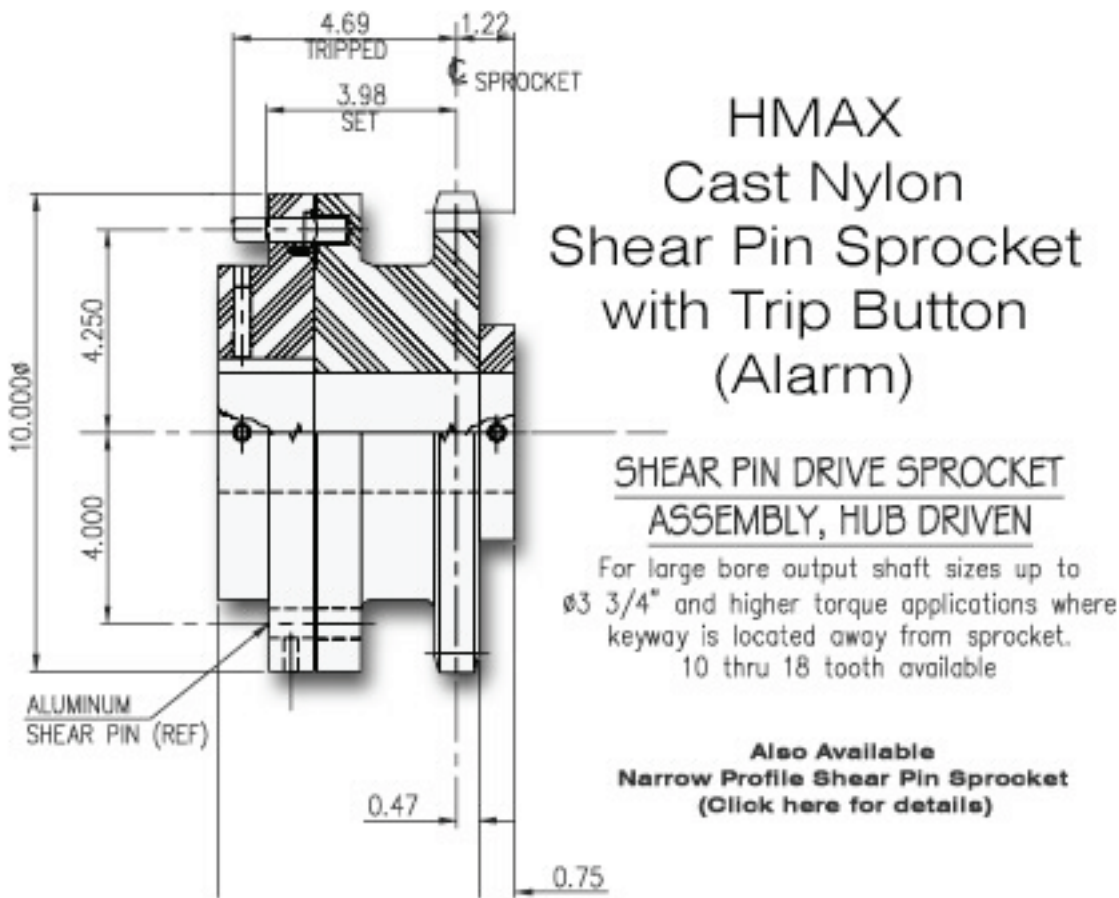


## 11 Tooth Shearpin Sprockets - 78 Series



### HMAX Shearpin Sprockets

HMAX Shearpin Sprockets are made from Cast Nylon 6 and are available in both standard and jaw-clutch arrangements. HMAX Shear pin sprockets are ideal for all clarifier applications, its key benefits:

- All Non-Metallic, no maintenance or periodic cycling required to keep rust from accumulating
- Includes Trip button that pops out when shear pin breaks, perfect for activating limit switch or alarm system.
- Zero Lubrication
- Cost Effective - easy to install, works with all 78 series chains, non-metallic, stainless steel and cast.